

LUMAX

a fast, long-range, optical underwater communication system

Installation Guide



Contents

1	Introduction	3
2	Operation	3
2.1	Setup	3
2.2	Operation	3
3	Maintenance	3
4	Electrical and Software Characteristics	4
5	Mechanical Characteristics	5

1 Introduction

The LUMA X is an optical modem for fast, reliable underwater communication. Each LUMA X is a full transceiver and thus capable of half-duplex communication (transmission and reception).

2 Operation

2.1 Setup

Attach both modems to their respective host systems using matching female SubConn Ethernet Circular 8 pin connectors such as DIL8F, DBH8F or DOM8F. Please make sure to match the pinout provided in *Electrical and Software Characteristics*.

- Apply a suitable supply voltage (12 V – 36 V).
- When properly aligned and within communication range, the two modems now provide a **half-duplex** communication link.

WARNING:

- **bright LED light source, do not look directly at emitter**
- **a few people may experience epileptic seizures when viewing flashing lights**

2.2 Operation

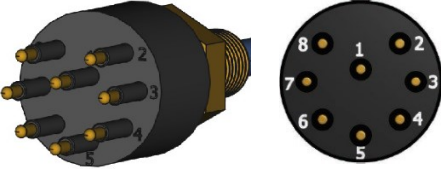
The modem provides a completely transparent connection and it will broadcast all data received from the serial or ethernet interface over the optical interface.

Thermal fold-back: The emitter of the modem consists of 15 high-power LEDs composed of 5 banks of 3 LEDs. During normal operation all 15 LEDs are transmitting in parallel to provide the highest possible transmission range. If the circuit board temperature rises above 60°C the modem will dynamically switch off emitter banks until the temperature returns to a safe level.

3 Maintenance

Please wash the modem with warm water (only) to remove any built-up which could negatively affect its operation. Apply a thin film of silicone grease to the rubber part of the connector pins to protect the connector and to facilitate mating. For maintenance details regarding the connector follow SubConn's instructions.

4 Electrical and Software Characteristics (*)

Supply voltage (Vs)	12 – 36 V	
Power consumption	1 W (active mode, receiving) 2 – 5 W (active mode, transmitting)	
Range	> 50m (164 ft) (depending on turbidity)	
Data rate (optical)	1 Mbit/s – 10 Mbit/s	
Data rate (Ethernet)	10/100 Mbit/s	
Data rate (serial)	Software selectable: 9600, 19200, 38400, 57600, 115200, 204800, 227556, 256000, 512000	
Transmission power	Software selectable: 1, 2, 3, 4 or 5 banks with 3 LEDs each	
Interface	Software selectable: Ethernet RS232 RS485	
Emission wavelength	480 nm	
Beam pattern	120 degree cone	
Connector pinout		1: GND 2: Vcc 3: RS232 RX / RS485 D+ 4: RS232 TX / RS485 D- 5: Ethernet RX- 6: Ethernet RX+ 7: Ethernet TX- 8: Ethernet TX+

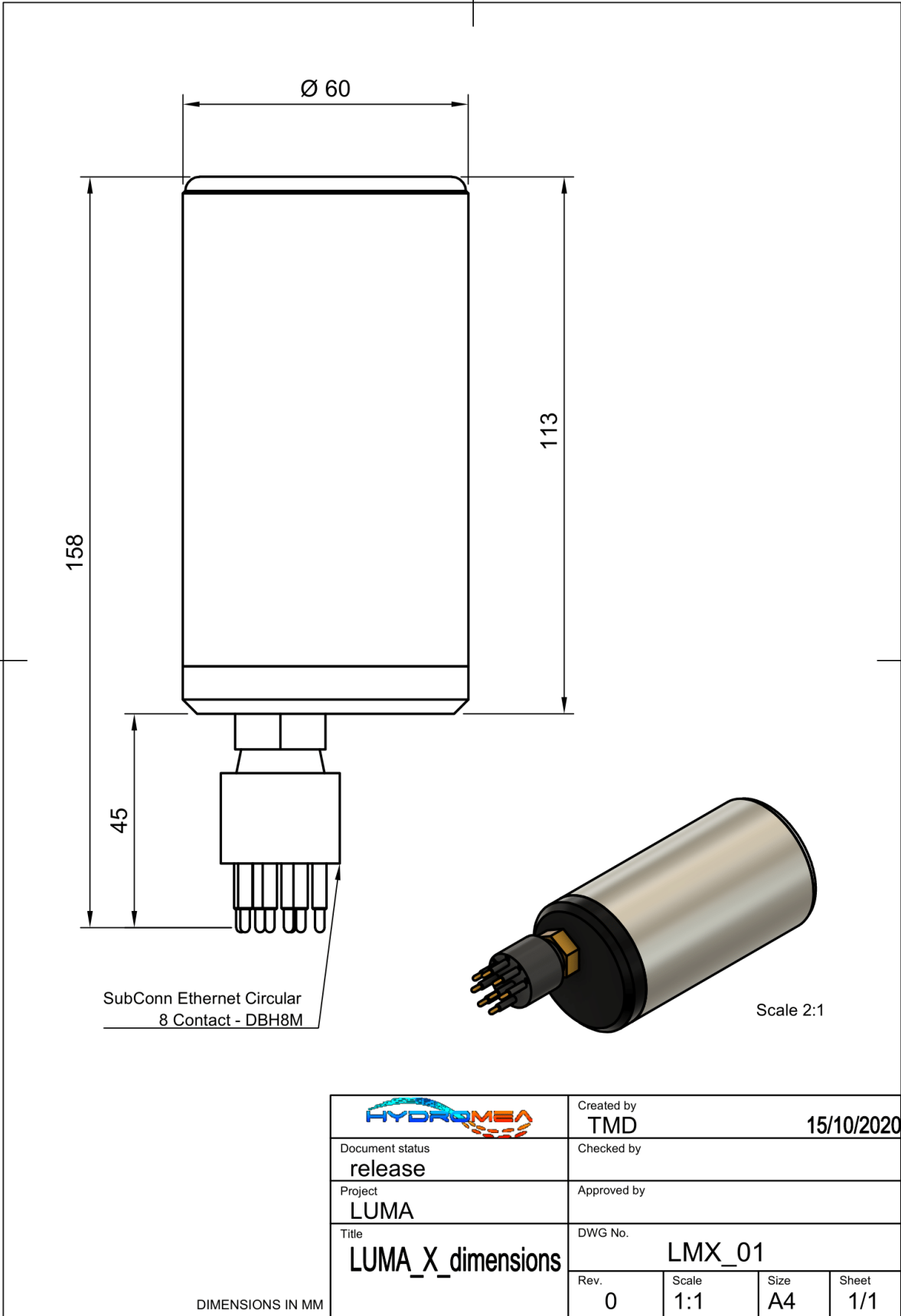
(*) subject to change without notice

5 Mechanical Characteristics (*)


Length x Diameter (Housing)	113 x 60 mm (4.5" x 2.4")
Weight in air	650 g (1 lb 7 oz)
Weight in water	300 g (10.5 oz)
Connector	SubConn Ethernet Circular 8 – DBH8M
Depth rating	6000 m (19000 ft)

(*) subject to change without notice

Disclaimer: HYDROMEА ASSUMES NO LIABILITY WHATSOEVER AND DISCLAIMS ANY EXPRESS, IMPLIED OR STATUTORY WARRANTY RELATING TO ITS PRODUCTS INCLUDING, BUT NOT LIMITED TO, THE IMPLIED WARRANTY OF MERCHANTABILITY, FITNESS FOR A PARTICULAR PURPOSE, OR NON-INFRINGEMENT. IN NO EVENT SHALL HYDROMEА BE LIABLE FOR ANY DIRECT, INDIRECT, CONSEQUENTIAL, PUNITIVE, SPECIAL OR INCIDENTAL DAMAGES (INCLUDING, WITHOUT LIMITATION, DAMAGES FOR LOSS OF PROFITS, BUSINESS INTERRUPTION, OR LOSS OF INFORMATION) ARISING OUT OF THE USE OR INABILITY TO USE THIS DOCUMENT, EVEN IF HYDROMEА HAS BEEN ADVISED OF THE POSSIBILITY OF SUCH DAMAGES.



DIMENSIONS IN MM

		Created by TMD		15/10/2020	
Document status release		Checked by			
Project LUMA		Approved by			
Title LUMA_X_dimensions		DWG No. LMX_01			
Rev.	Scale	Size	Sheet		
0	1:1	A4	1/1		